



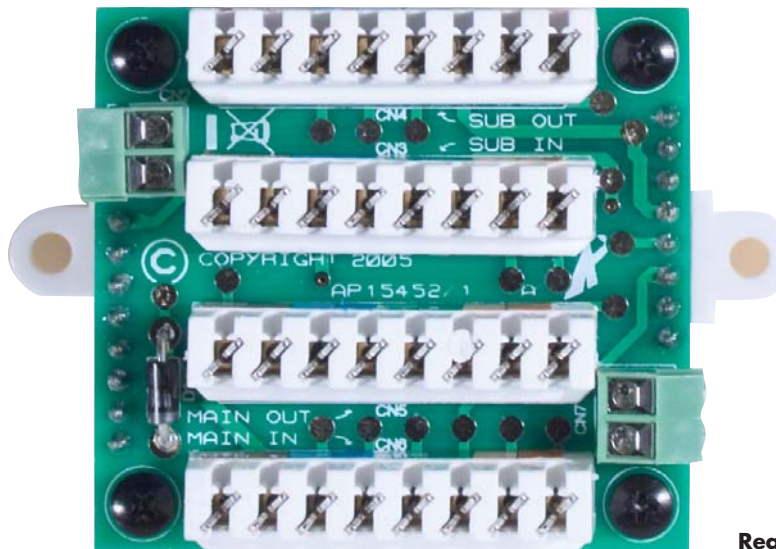
# LIM300 EU

## Local Input Module

The Local Input Module 300 (LIM300) is a neat in-wall unit that enables connection of an additional local source to those distributed by the MCU300. This allows devices such as Playstations<sup>™</sup> or iPods<sup>™</sup> to be used in the room or corresponding sub-zone where the LIM300 is fitted. LIMs can be installed in one or more zones and connect between the MCU audio hub and a WCU310 amplified control module using Cat-5/5e wiring.

Each local source can be intuitively controlled through the Octopus remote and/or keypad. The LIM300 features an interchangeable 'easy clip' surround enabling customisation to suit any room.





Rear panel

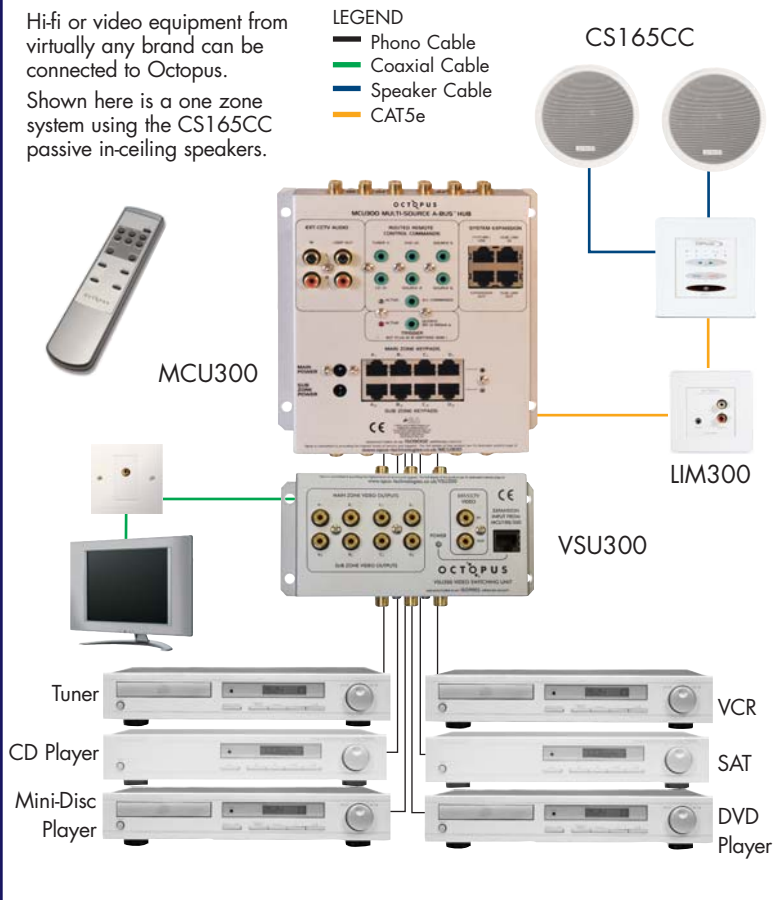
SPECIFICATIONS LIM300 EU

Max line level inputs	2.2 V rms
Cat-5 connections	Krone punchdown
Dimensions	50 x 50 x 45mm (1.96 x 1.96 x 1.77 inches)
Weight	100g (0.2lbs)
Maximum cable length	30M/100ft
IR (Infra red output)	Modulated 34-40 kHz and 55-59 kHz supported
Power requirement	24V DC @ 20mA max (supplied by hub)

SYSTEM DIAGRAM

Hi-fi or video equipment from virtually any brand can be connected to Octopus. Shown here is a one zone system using the CS165CC passive in-ceiling speakers.

- LEGEND
- Phono Cable
  - Coaxial Cable
  - Speaker Cable
  - CAT5e



AP19345/2

