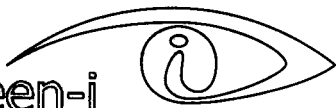
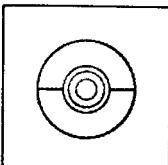


green-i
advanced switch technology



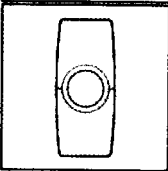
innovation from
CP electronics
intelligent energy control



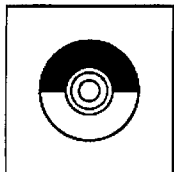
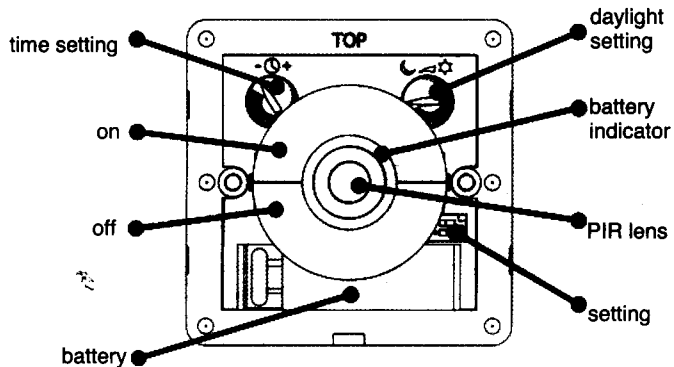
Part no.

GIPDC

- Single gang PIR switch
- Replaces a standard light switch or dimmer
- Turns off automatically
- Turns on automatically
- Security mode
- Switches all lighting, heating and ventilation loads up to 10A

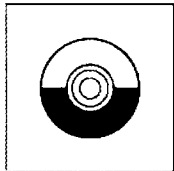


GIPDT



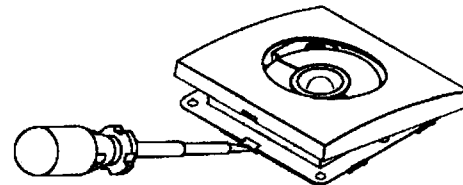
Short press—lights on

Press for more than 5 seconds to activate (see Activate section).

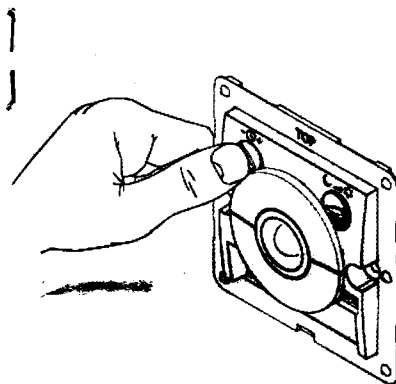


Short press—lights off
The lights will turn off whilst the area is occupied. The unit will reset to automatic operation after a period of time.

Press for more than 5 seconds to de-activate (see Activate section).



Remove front cover



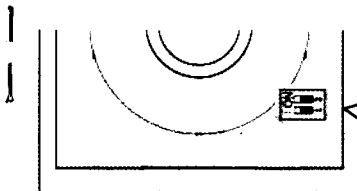
Time setting 1min—30min

The lights will turn off after the time setting has finished. When a movement is detected, the time starts again. Clockwise = longer delay.

Recommended setting:
20 minutes living room, 10 minutes bedroom

Daylight setting

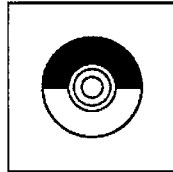
Auto on mode—in this mode only, if there is enough daylight the lights will not turn on automatically. Adjust the level using this setting. Clockwise = turn on with brighter daylight.



	1 2	Manual on (use on button) : Auto off (when nobody in the room, after time period).
	1 2	Auto on (when somebody enters room): Auto off (when nobody in the room, after time period).
	1 2	Security mode activated. See "Security Mode" section
	1 2	Security mode deactivated.



- Before using, the unit needs to be activated.
- Press and hold the top button for more than 5 seconds. The red LED will flash to indicate that has activated and the unit will now operate.
- If the unit is going to be out of use for prolonged periods (more than 6 months) it should be de-activated by repeating the procedure above with the bottom button. This will help to prolong battery life.



- Security mode can be turned on and off using the switches as shown in the "setup" section.
- When activated, security mode is used to switch on lighting when it gets dark, giving the impression a house is occupied.
- When the unit senses that the outside light is dark, the lights will automatically switch on for a period of 2 hours then switch off.



- The internal battery should last in excess of 3 years, dependent on usage
- When it needs replacing, a red LED will flash on the front of the unit
- Follow the steps opposite to replace the battery
- Use only good quality, 9V alkaline batteries type PP3
- Once the battery has been changed activate the unit as described in the "activate" section.

